

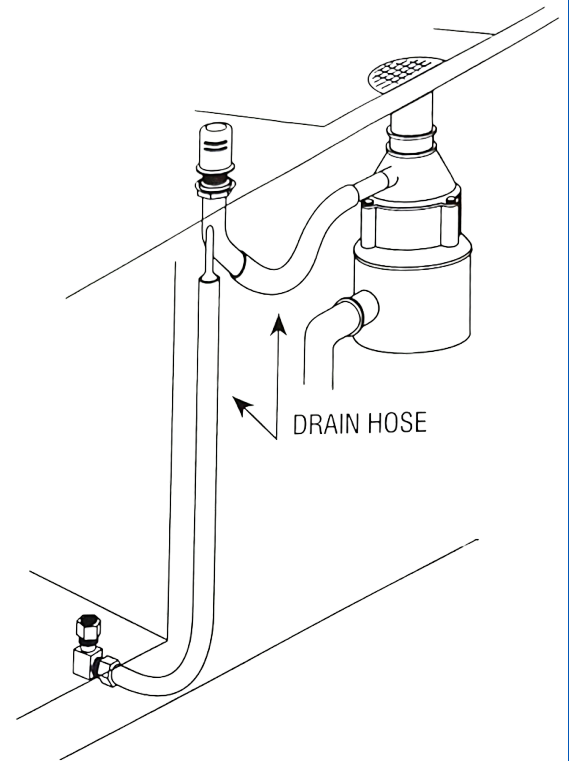
6' CORRUGATED DISHWASHER DRAIN HOSE SD91225

UNIVERSAL FIT FOR 5/8", 7/8", OR 1" OUTLET

USE TO CONNECT DISHWASHER TO AIR GAP - CAN ALSO CONNECT DISHWASHER
DIRECTLY TO FOOD DISPOSER OR DRAIN TAILPIECE

INSTALLATION INSTRUCTIONS

1. ATTACH DISHWASHER DISCHARGE HOSE TO OUTLET IN TAILPIECE.
2. DRAIN OUTLET OR FOOD DISPOSER. IF CONNECTING TO AIR GAP, CUT OFF AT 5/8" LINE ON RUBBER END OF HOSE.
3. SLIDE CLAMP OVER HOSE AND TIGHTEN.
4. PLACE SECOND CLAMP ON HOSE LOOSELY.
5. CONNECT HOSE TO DISHWASHER OUTLET.
6. SLIDE CLAMP OVER HOSE AND OUTLET AND TIGHTEN.
7. AVOID LOW SPOTS IN HOSE.
8. MAKE SURE ALL CLAMPS ARE SECURELY FASTENED BEFORE TESTING DISHWASHER.



SUPPLYING DEMAND[®]
supplyingdemand.com



@therepairbrand | supplyingdemand